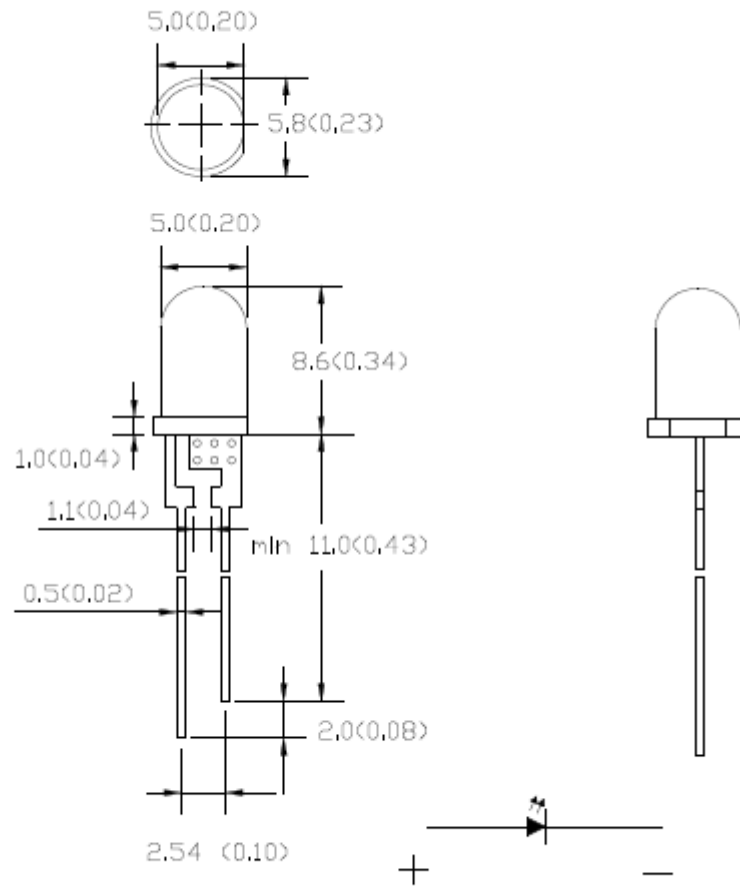


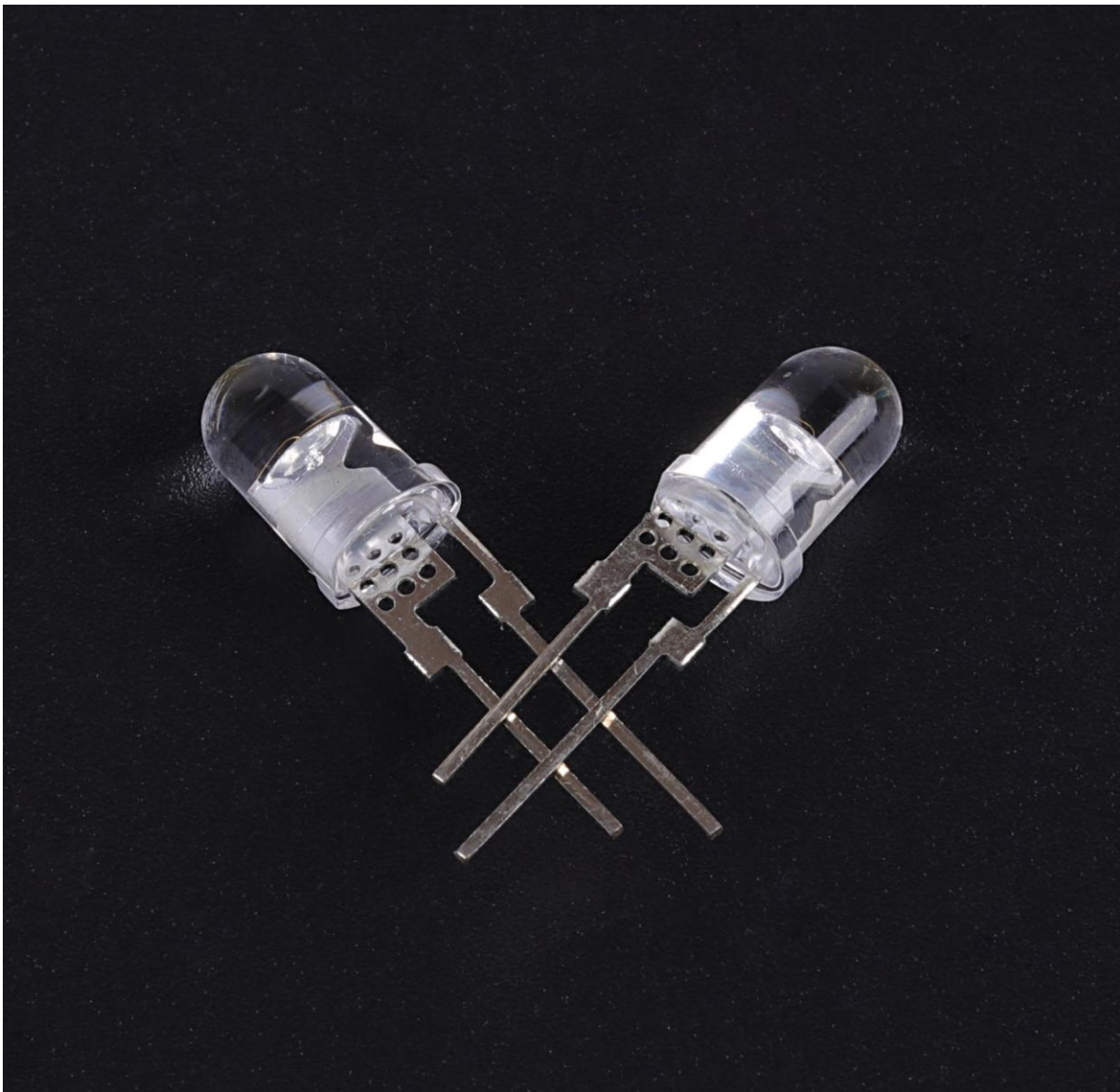
0.5W 5mm white led light

With headsink 5mm diode led 0.5W white led, used for lighting because of high brightness and low light decay.

Package Dimensions:



Unit: (mm) Tolerance: ± 0.25 mm



Emitted Color	Cold White / Neutral White / Warm White
Main Material	Gold thread / Epistar chip / Dow corning resin
Power	0.5W
Current	150mA
Voltage	2.8-3.4V
Luminous Flux	50-60LM
CRI	75

Advantages:

Copper Material, not easy to get rusty.

Product with heat sink, it will has Good Heat Dissipation. Optical Attenuation(2%).

High brightness.

Long life.

Not easy to damp.

Applications

1. Audio equipment or instrument panels
2. General use for digital indicators
3. Multimedia product
4. Digital read out display
5. Indoor and outdoor commercial lighting
6. Architectural Lighting
7. General lighting
8. Automotive lights
9. Mood Lighting, LED module
10. LCD TV / monitor backlights
11. Reading light, LED torch
12. Craft flashlights, headlights

FAQ:

Q1. How can I get the product?

Please contact me, I'll be your guide.

Email: sales@zhidingled.com

Skype: elsa.xiao0418

Wechat / Tel / Whatsapp: +86-13412570091

Q2. When can I receive the product?

If we have product in stock, goods will be sent in 2 days. If we don't have in stock, it will take us 14~21 days to get your order ready.

Q3. How about your supply ability?

80000k per Month.

Q4. What is the MOQ(Minimum Order Quantity)?

For new customers, they can place a trial order to test the product's quality and the sales in their markets.

Q5. If your company can custom product as my required and put my logo on?

All of our product are designed and customized as required including color, print, pattern and logo.

Q6. How about the warranty?

Normally we offer 24 months warranty, depends on products, some products have 12 months warranty.

Please contact me for more details.

WELCOME TO CONTACT US>>>>WWW.ZHIDINGLED.COM



Oversea Sales Manager
Elsa Xiao
E-mail:sales@zhidingled.com
Skype: elsa.xiao0418
Mobile: 86-13412570091
WhatsApp: 86-13412570091
Tel: 86-769-22665151
Fax:86-769-22665155